

BRIGGS® FAUCETS

BR200

SINGLE CONTROL TUB & SHOWER ROUGH-IN
CERAMIC DISC CARTRIDGE VALV WITH STOPS

FEATURES

- Includes rough-in only - tub and shower trim sold separately
- Ceramic disc cartridge
 - Non-metallic, non-ferrous and brass materials
 - Single body construction
- One year limited warranty against defects in materials and manufacturing workmanship

MAINTENANCE

Please read the following before installation and operation.

1 Installation

- Rinse the inlet pipe clean.
- Connect the appropriate water supplies:
 - Hot water on the left side
 - Cold water on the right side

2 Technical Parameter

- Water Pressure: 0.1 MPa - 0.86 MPa
- Water Temperature: 41-160° F

3 Surface Maintenance

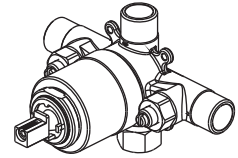
Remove as much surface dirt and film using clean water and cotton cloth.

Spray cleaners including mild liquid detergents, clear liquid glass cleaner, non-acidic and full dissolved powder cleaners or non-abrasive liquid polishers on a rag are acceptable to clean the faucet surface.

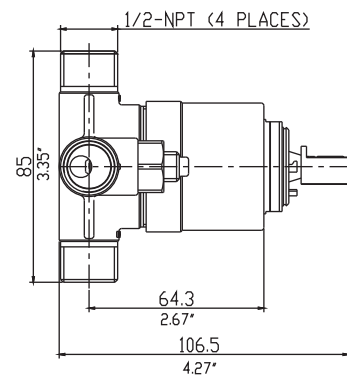
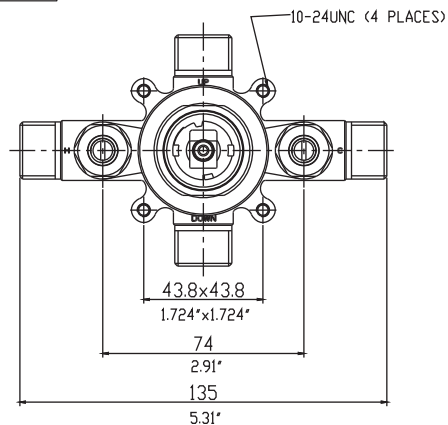
Once clean, rinse the faucet thoroughly with clean water to remove the cleaner then dry with soft cotton cloth.

CODES

- Certified to ASME A112.18.1
- IAPMO
- cUPC



SPECIFICATIONS



* Rough-In valve only. Trim Kit is not included and sold separately

■ For reference only (unit = inch)
Illustrations may not be to scale
Dimensions are subject to change
without notice